



SHANDONG SAINTY ALUMINIUM LIMITED

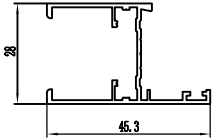
ADDRESS;No. 322 Yubei Rd, Dongcheng Industry Park,Linqu, Weifang 262600, China

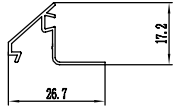
— SAINTY —

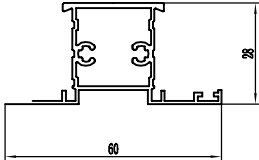
CELL+86 150 5290 5768

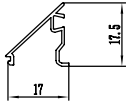
Email:info@staluminum.com

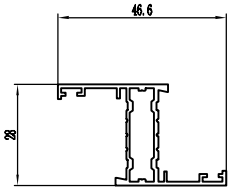
www.staluminumprofile.com

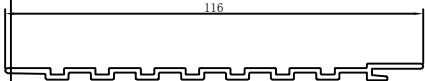
Dwg NO.	SA01	
Thickness (mm)	1.1	
Weight (kg/m)	0.4	

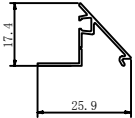
Dwg NO.	SA07	
Thickness (mm)	0.8	
Weight (kg/m)	0.125	

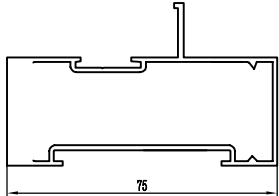
Dwg NO.	SA02	
Thickness (mm)	1.0	
Weight (kg/m)	0.561	

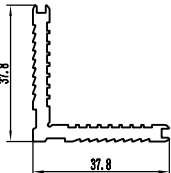
Dwg NO.	SA08	
Thickness (mm)	0.8	
Weight (kg/m)	0.11	

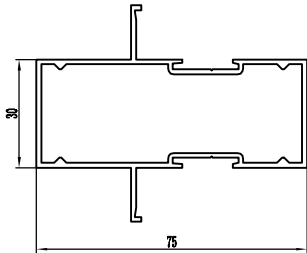
Dwg NO.	SA03	
Thickness (mm)	1.1	
Weight (kg/m)	0.394	

Dwg NO.	SA09	
Thickness (mm)	1.3	
Weight (kg/m)	0.538	

Dwg NO.	SA4	
Thickness (mm)	1.0	
Weight (kg/m)	0.16	

Dwg NO.	SA11	
Thickness (mm)	1.3	
Weight (kg/m)	0.874	

Dwg NO.	SA05	
Thickness (mm)	4.6	
Weight (kg/m)	0.714	

Dwg NO.	SA12	
Thickness (mm)	1.3	
Weight (kg/m)	0.933	



SHANDONG SAINTY ALUMINIUM LIMITED

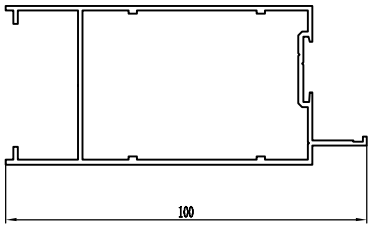
ADDRESS;No. 322 Yubei Rd, Dongcheng Industry Park,Linqu, Weifang 262600, China

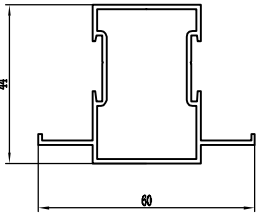
— SAINTY —

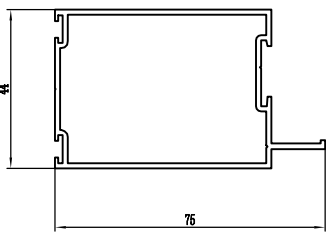
CELL+86 150 5290 5768

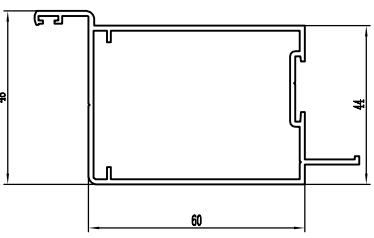
Email:info@staluminum.com

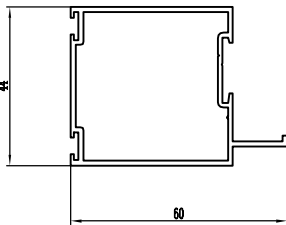
www.staluminumprofile.com

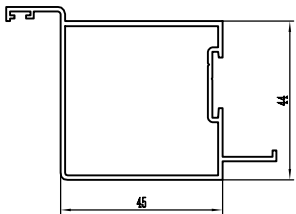
Dwg NO.	SA16	
Thickness (mm)	1.3	
Weight (kg/m)	1.03	

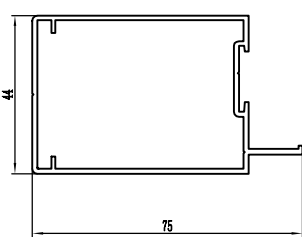
Dwg NO.	SA26	
Thickness (mm)	1.25	
Weight (kg/m)	0.645	

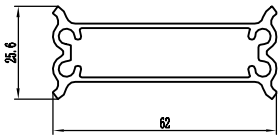
Dwg NO.	SA19	
Thickness (mm)	1.4	
Weight (kg/m)	0.898	

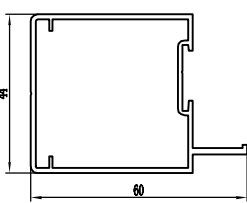
Dwg NO.	SA28	
Thickness (mm)	1.4	
Weight (kg/m)	0.965	

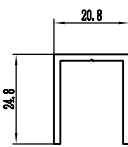
Dwg NO.	SA22	
Thickness (mm)	1.4	
Weight (kg/m)	0.768	

Dwg NO.	SA29	
Thickness (mm)	1.3	
Weight (kg/m)	0.778	

Dwg NO.	SA23	
Thickness (mm)	1.4	
Weight (kg/m)	0.876	

Dwg NO.	SA31	
Thickness (mm)	1.3	
Weight (kg/m)	0.781	

Dwg NO.	SA24	
Thickness (mm)	1.4	
Weight (kg/m)	0.753	

Dwg NO.	SA40	
Thickness (mm)	1.8	
Weight (kg/m)	0.371	



SHANDONG SAINTY ALUMINIUM LIMITED

ADDRESS; No. 322 Yubei Rd, Dongcheng Industry Park, Linqu, Weifang 262600, China

— SAINTY —

CELL+86 150 5290 5768

Email: info@staluminum.com

www.staluminumprofile.com

Dwg NO.	SA43	
Thickness (mm)	1.4	
Weight (kg/m)	0.956	

Dwg NO.	SA51	
Thickness (mm)	1.35	
Weight (kg/m)	0.72	

Dwg NO.	SA44	
Thickness (mm)	1.4	
Weight (kg/m)	1.123	

Dwg NO.	SA55	
Thickness (mm)	1.2	
Weight (kg/m)	0.62	

Dwg NO.	SA45	
Thickness (mm)	1.5	
Weight (kg/m)	1.226	

Dwg NO.	SA56	
Thickness (mm)	1.3	
Weight (kg/m)	0.52	

Dwg NO.	SA46	
Thickness (mm)	2.5	
Weight (kg/m)	0.28	

Dwg NO.	SA79	
Thickness (mm)	1.3	
Weight (kg/m)	0.404	

Dwg NO.	SA49	
Thickness (mm)	1.4	
Weight (kg/m)	0.66	

Dwg NO.	SA80	
Thickness (mm)	0.8	
Weight (kg/m)	0.322	



SHANDONG SAINTY ALUMINIUM LIMITED

ADDRESS; No. 322 Yubei Rd, Dongcheng Industry Park, Linqu, Weifang 262600, China

— SAINTY —

CELL+86 150 5290 5768

Email: info@staluminum.com

www.staluminumprofile.com

Dwg NO.	SA81	
Thickness (mm)	0.9	
Weight (kg/m)	0.36	

Dwg NO.	SA86	
Thickness (mm)	4.6	
Weight (kg/m)	0.684	

Dwg NO.	SA82	
Thickness (mm)	0.9	
Weight (kg/m)	0.5	

Dwg NO.	SA87	
Thickness (mm)	0.9	
Weight (kg/m)	0.489	

Dwg NO.	SA83	
Thickness (mm)	0.8	
Weight (kg/m)	0.123	

Dwg NO.	SA88	
Thickness (mm)	1.1	
Weight (kg/m)	0.45	

Dwg NO.	SA84	
Thickness (mm)	0.8	
Weight (kg/m)	0.285	

Dwg NO.	SA89	
Thickness (mm)	1.2	
Weight (kg/m)	0.46	

Dwg NO.	SA85	
Thickness (mm)	改0.9	
Weight (kg/m)	0.482	

Dwg NO.	SA90	
Thickness (mm)	1.0	
Weight (kg/m)	0.5	